

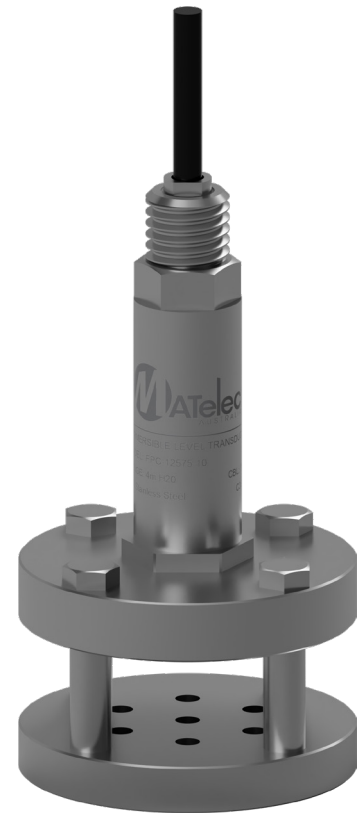
SEWAGE/WASTEWATER

FEATURES

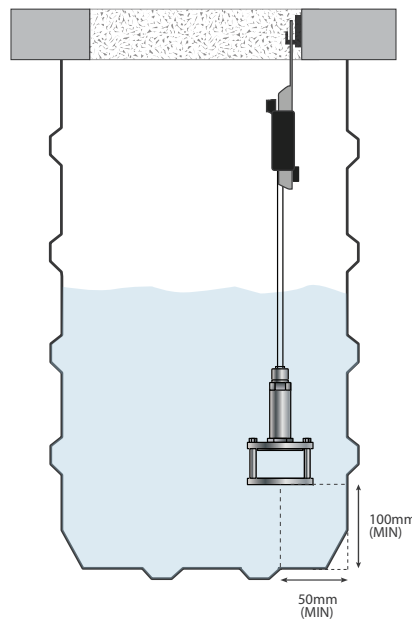
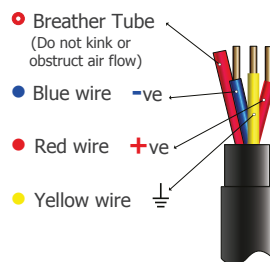
- Excellent repeatability and long term stability
- Excellent anti-interference ability
- Measure depth or level measurement in potable, raw, ground and rain water, sewage and wastewater applications

SPECIFICATIONS

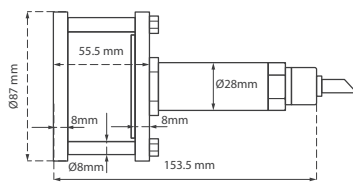
- **Overload Pressure:** 1.5 times full scale
- **Accuracy:** $\pm 0.5\%$ F.S
- **Supply Voltage:** 12-30Vdc, 24 Vdc
- **Output Signals:** 4-20mA
- **Response Time:** 10ms
- **Temperature Ranges:**
 - Compensated: 0°C - 50°C
 - Media: -10°C - 70°C
 - Environment: -30°C - 85°C
 - Storage: -40°C - 125°C
- **Temperature Compensation:** 0.02% F.S./°C
- **Electrical Connection:** 3 Wires, Breather Tube
- **Protection Classification:** Sensor is IP68
- **Vibration:** 20g ; 20-5000Hz
- **Housing Material:** 316 Stainless Steel
- **Operating Life:** $>1 \times 10^8$ Pressure Cycles
- **Cable Details:** Diameter: $\varnothing 7.5$ mm OD
Material: PUR Polyurethane



CONNECTION DIAGRAM



DIMENSIONS



SEWAGE HYDROSTATIC LEVEL TRANSDUCER RANGE

| Code | Description | Depth Range | Cable Length |
|--------------|---------------------------------------|-------------|--------------|
| FPC-12569-10 | Hydrostatic Level Transducer - Sewage | 0 - 1 m | 10m |
| FPC-12570 | Hydrostatic Level Transducer - Sewage | 0 - 10 m | 24m |
| FPC-12570-10 | Hydrostatic Level Transducer - Sewage | 0 - 10 m | 10m |
| FPC-12570-30 | Hydrostatic Level Transducer - Sewage | 0 - 10 m | 30m |
| FPC-12575-10 | Hydrostatic Level Transducer - Sewage | 0 - 4 m | 10m |
| FPC-12575-30 | Hydrostatic Level Transducer - Sewage | 0 - 4 m | 30m |
| FPC-12575-50 | Hydrostatic Level Transducer - Sewage | 0 - 4 m | 50m |
| FPC-12575-E | Hydrostatic Level Transducer - Sewage | 0 - 4 m | 24m |